

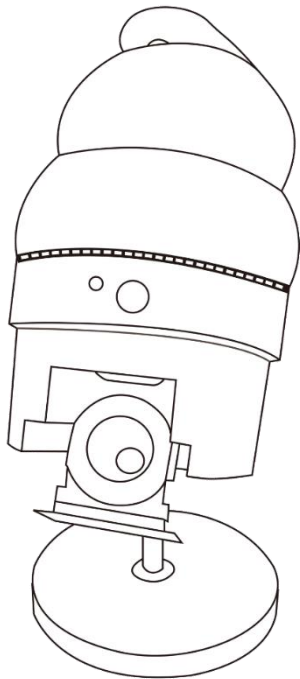


-8°C Ice Cream Pod

Joy Fortune Co.,Ltd.

Ice Cream Pod Dispenser

Model : Funny-I



Instruction Manual

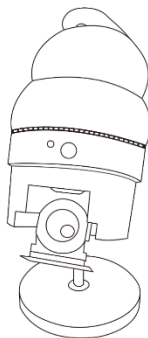
Table of Contents

| | |
|----------------------------|---|
| Features | 1 |
| Machine Components . | 2 |
| Warning | 3 |
| Operation | 4 |
| Specifications | 5 |
| Troubleshooting | 6 |
| Customer Service | 6 |

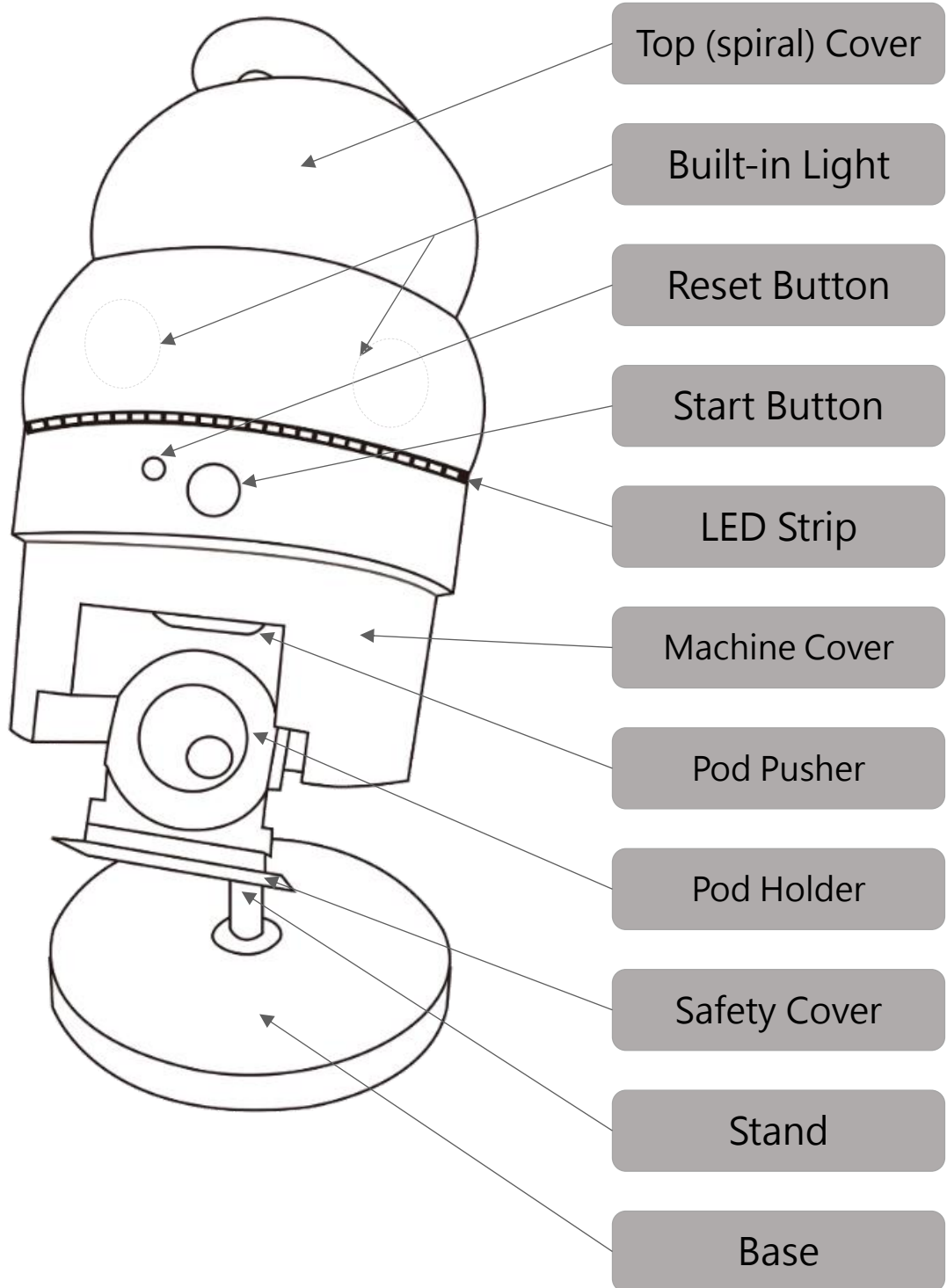
- ◆ For safety concern, please carefully read this instruction manual when using our production for the first time, and keep the manual for reference.
- ◆ General company only provides a one-year maintenance warranty for the customers in the Taiwan area. Users outside of Taiwan must contact their local dealer or maintenance provider.
- ◆ The specifications of this dispenser will be adjusted according to the export county. We apologize for any possible differences in the features of the delivered product compared to those detailed in the manual.

Features

- This newly developed product is the company's second-generation ice cream pod dispenser. The purpose of the product is to provide health, safety, and highly reliable access to ice cream.
- Integrating a number of innovative patented technologies, the product features various advantages such as low cost, ergonomic shape, decreased energy consumption, varied flavors, and reduced waste...etc.
- To serve the customer, use the prefabricated ice cream pod produced by the HACCP factory. This time-efficient procedure is simple and reduces food safety risks.
- This product also features an intelligent built-in microcomputer which delivers automatic feedback on ice cream hardness. This system also includes a failsafe which prevents it from power overload during the operation process.
- The product structure is based on highly durable and commercial design considerations, and exhibits a very low failure rate.
- The operating procedures are completely encased within the machine's case, and customers can easily and safely operate it on their own.
- Unique design with built-in light and music can attract consumer attentions towards the product.
- During any operating step of this product, there is no contact between the parts and the ice cream. Simply throw away the disposable package after completing each operation.



Machine Components



Warning

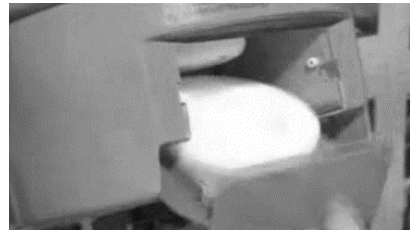
- This product is not suitable for usage by people with physical or mental disabilities, unless the person is subject to the supervision or direction of the person responsible for the protection of his or her safety.
- Place the product on a flat surface. Do not place this product on an uneven surface.
- Please handle this product carefully. Collisions may damage the product and result in abnormalities during operation.
- Do not immerse the fuselage, power cord or plug in water or any liquid. Doing so may result in electric shock or other hazards.
- Do not put hands or foreign objects into the pod holder. Doing so may produce risk of bodily harm or damage to the product.
- When attempting to open the shell to perform maintenance and check when the machine is not in use, be sure to unplug the power cord first in order to avoid the risk of electric shock.
- If the power cord or the electrical plug is damaged, or the operation of the product itself exhibits issues or has been subject to any damage, do not continue usage; please contact relevant maintenance technicians.
- Avoid using loose jacks. The use of loose jacks could lead to abrupt shutdowns, which could cause interruptions in the product's operation.
- In the event that any internal parts are damaged, replacement parts not provided or recommended by the manufacturer should not be used, as using such parts may cause further damage.
- Do not allow the power cord to hang on the edge of the operating desk or a heated surface, in order to avoid the risk of tripping or overheating the power cord.
- Do not use hard brushes or corrosive cleaners to excessively clean the surface of the dispenser. Doing so may strip the paint from the dispenser.
- When plugging or unplugging the power cord, please hold the power plug instead of the cord when unplugging. Doing otherwise may cause breakage of the cord, leading to risks of electrocution or damage to the product.
- Do not use this product for purposes other than making pod food.

Operating Procedures

1 Retrieve pod from fridge



2 Open Pod Holder



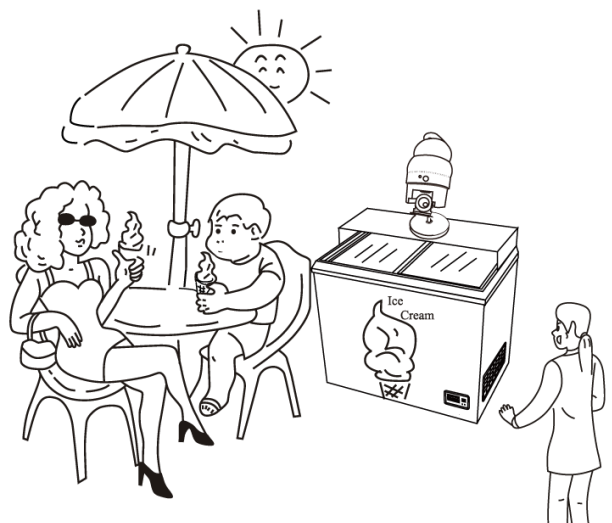
3 Close safety cover



4 Press start button

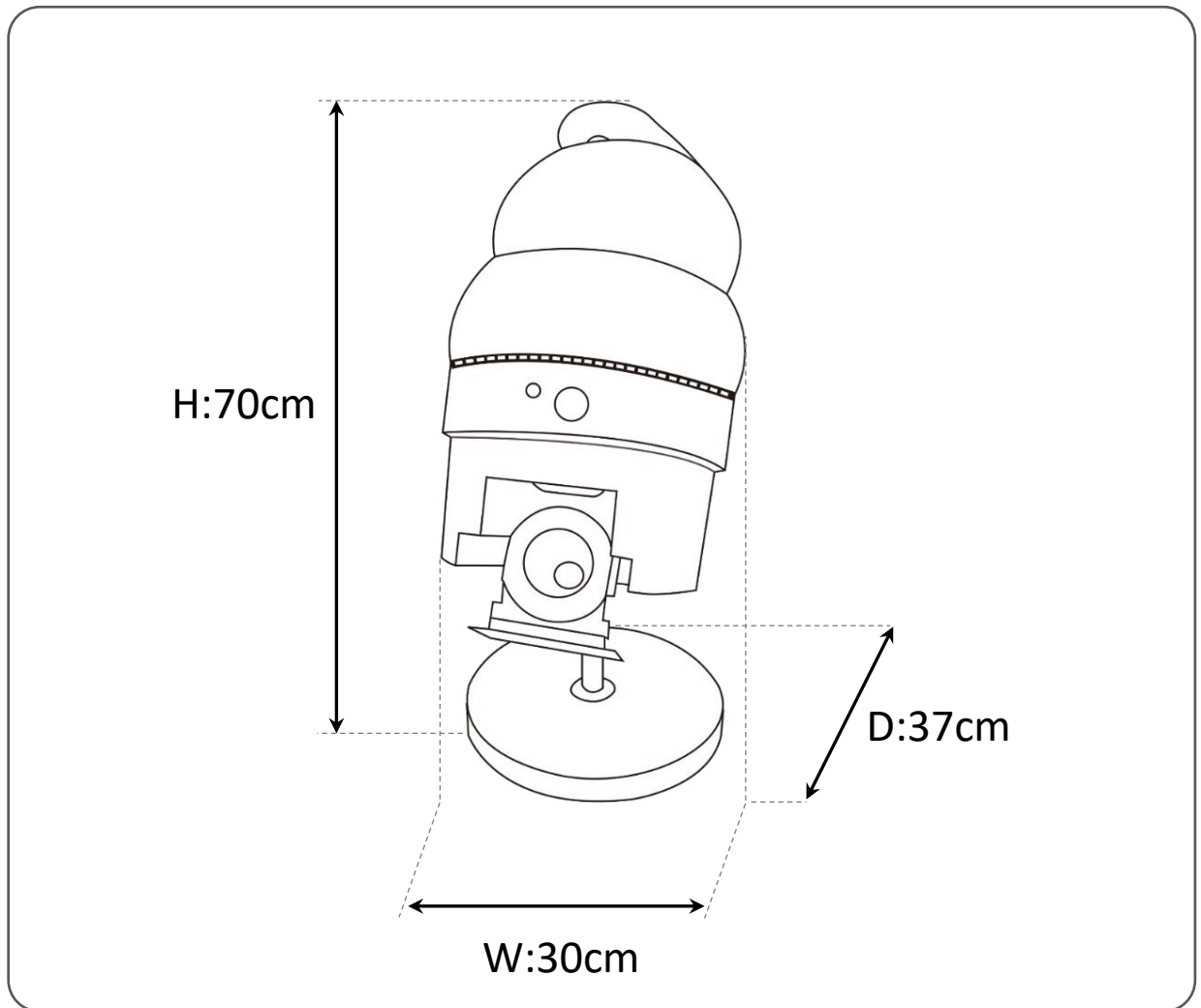


5 Place container under holder



After squeezing, please enjoy!

Specifications



| Voltage | Standby | | | | Operation | | | |
|---------|----------|--------|-----------|-------|-----------|---------|-----------|--------|
| | Light On | | Light Off | | Light On | | Light Off | |
| | I | P | I | P | I | P | I | P |
| 100 | 0.70 A | 70.0 W | 0.04 A | 3.3 W | 1.07 A | 107.0 W | 0.41 A | 40.7 W |
| 110 | 0.64 A | | 0.03 A | | 0.98 A | | 0.37 A | |
| 220 | 0.32 A | | 0.02 A | | 0.49 A | | 0.19 A | |
| 240 | 0.29 A | | 0.02 A | | 0.45 A | | 0.17 A | |

Troubleshooting

- Any product has the possibility of failure. If an abnormality is found during use, please follow the troubleshooting instructions on this page. If the issue cannot be ruled out, please immediately contact maintenance professionals, so as to avoid more serious damage to the dispenser.
- The Ice cream pod dispenser will automatically detect the hardness of the ice cream. If it is hard, it will automatically stop and return to the standby state.
- After squeezing pod, the dispenser should automatically enter standby mode. If the dispenser does not return to standby mode, please press the reset button. Please contact maintenance if problems persist.
- If there is any abnormality, please check the following steps:
 - (1).Is the power turned on? Check if the start button light is on.
 - (2).Is the safety cover closed?
(The start button lights up when the safety cover is closed)
 - (3).Is the pod's temperature too low? Or is the pod too hard?
 - (4).Do not press multiple buttons at the same time. Are any buttons stuck?
 - (5).Try rebooting the machine. Is the power supply normal?

If the above checks still fail to correct the problem, please inform relevant maintenance.

Customer Service



Head Office
Joy Fortune Co.,Ltd.
Address : 1F., No.16, Ln. 604, Zhongxiao Rd.,
Linkou Dist., New Taipei City 244, Taiwan
Tel : +886-2-2608-3978
Website : www.icecream-8.com

Agent :